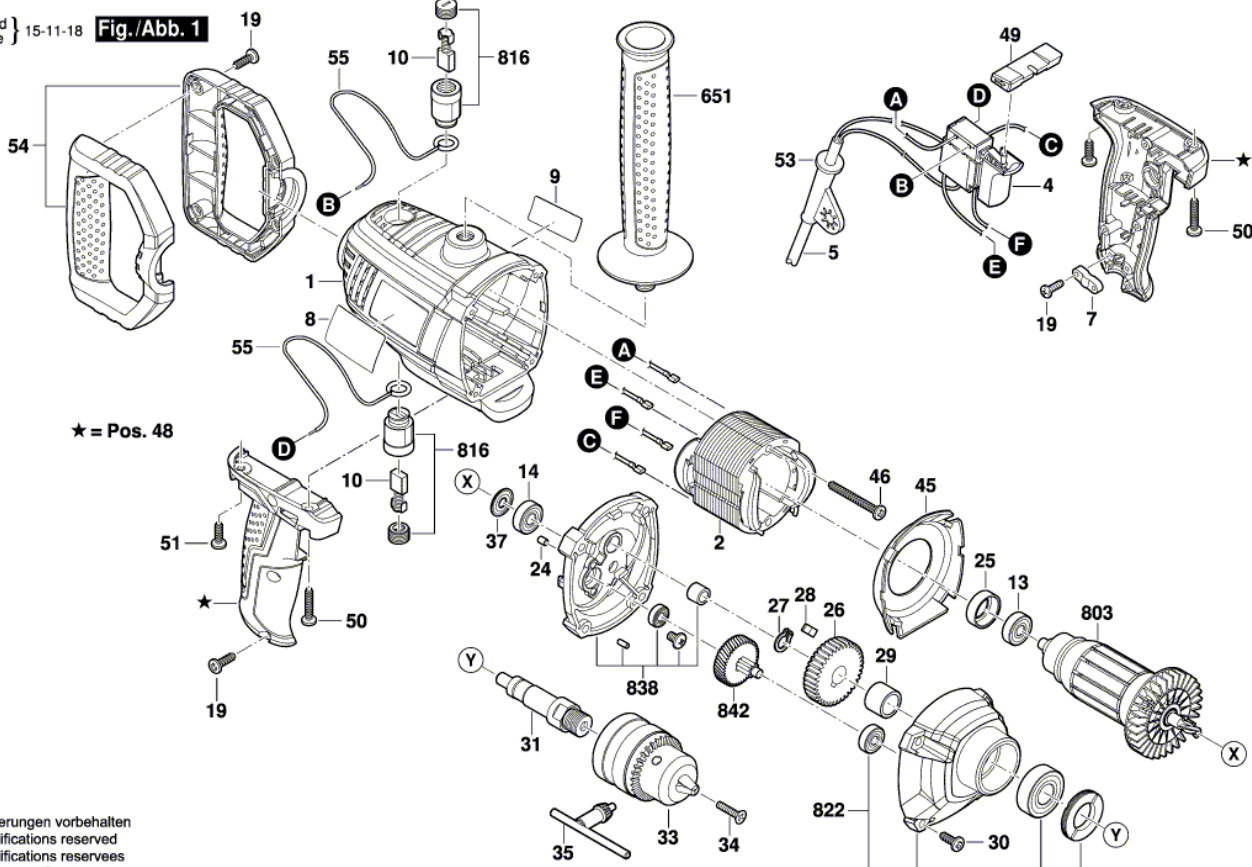




3 601 AB0 010

Stand Issue } 15-11-18 Fig./Abb. 1



★ = Pos. 48

Änderungen vorbehalten
 Modifications reserved
 Modifications reserves
 Salvo modificaciones



Pos.	Part Number	Description	Pos.	Part Number	Description
1	1 619 PA7 814	Motor Housing			
2	1 619 PA9 706	Field			
4	1 619 PA9 708	On-Off Switch			
5	1 619 PA9 709	Power supply cord			
7	1 619 PA7 821	Fastening Clamp			
8	1 619 PA9 704	Nameplate			
9	1 619 PA9 705	Manufacturer's nameplate			
10	1 619 PA8 315	Carbon-Brush Set			
13	1 619 PA7 829	Ball Bearing			
14	1 619 PA7 830	Ball Bearing			
19	1 619 PA7 831	Tapping Screw			
24	1 619 PA7 832	Rubber Strip			
25	1 619 PA7 833	Bearing Sleeve			
26	1 619 PA7 834	Cylindrical Gear			
27	1 619 PA7 835	Retaining ring			
28	1 619 PA7 836	Flat Key			
29	1 619 PA7 837	Spacer bushing			
30	1 619 PA7 838	Screw			
31	1 619 PA7 839	Drilling Spindle			
33	1 619 PA3 304	Chuck			
34	1 619 PA3 305	Countersunk-Head Screw			
35	1 619 PA8 054	Chuck Wrench			
37	1 619 PA7 840	Seal Ring			
45	1 619 PA7 841	Air-Deflector Ring			
46	1 619 PA7 842	Screw			
48	1 619 PA9 711	Handle			
49	1 619 PA7 844	Lever			
50	1 619 PA7 845	Tapping Screw			
51	1 619 PA7 846	Tapping Screw			
53	1 619 PA9 798	Grommet			
54	1 619 PA7 849	Rotary Handle			
55	1 619 PA9 710	Wire			
651	1 619 PA7 850	Auxiliary Handle			
803	1 619 PA9 707	Armature			
816	1 619 PA8 319	Brush Holder			
822	1 619 PA7 853	Gear Housing			
838	1 619 PA7 855	Bearing Flange			
842	1 619 PA7 856	Pinion Shaft			